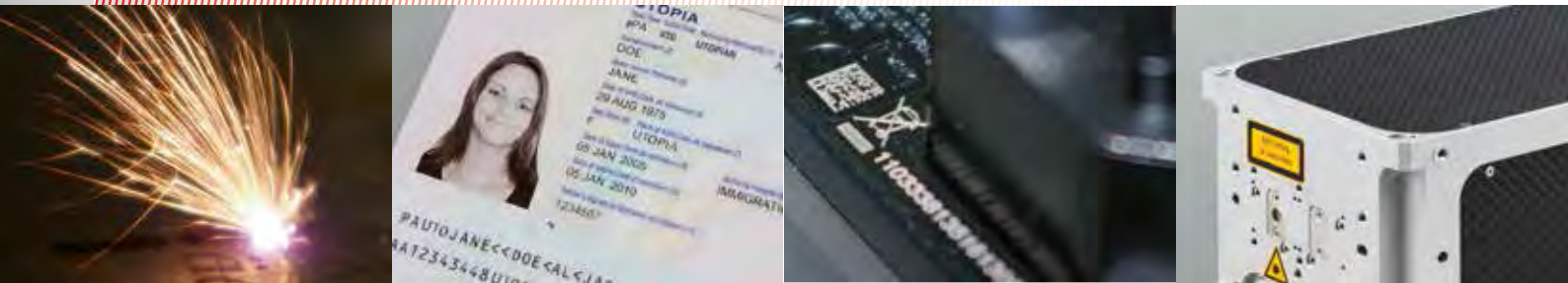


nanio series*

Industrial DPSS Lasers

NANIO 1342-8-V

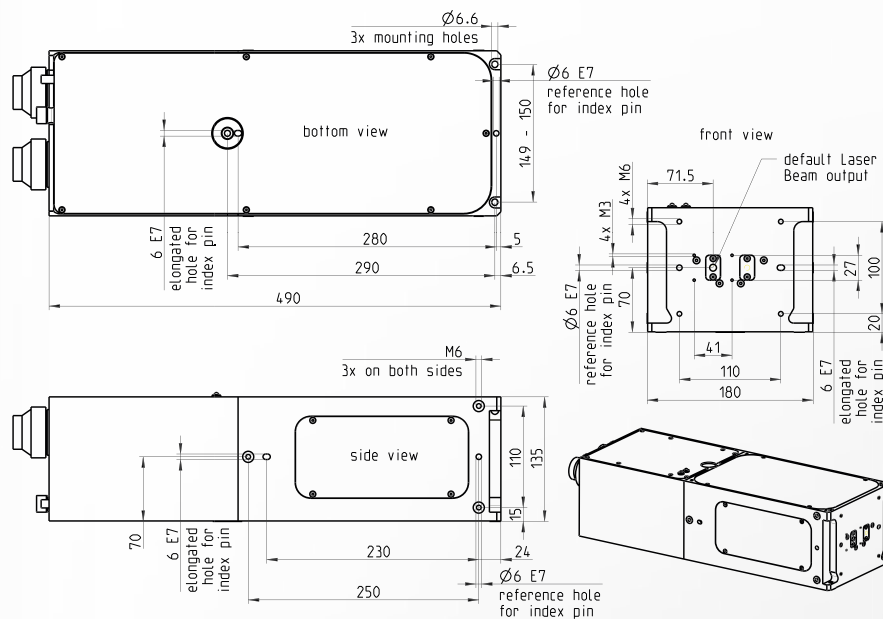


Applications

- * Micromachining
- * Scribing
- * Solar Cell Manufacturing
- * Semiconductor Manufacturing
- * Wafer Dicing

Features

- * Outstanding performance & reliability
- * Modular industrial design
- * Easy integration and service
- * Field proven long life pump diode modules
- * Superior pulse-to-pulse stability



NANIO 1342-8-V

Specifications

Laser Head	Laser Medium	Nd:YVO ₄
	Pump Source	Long Life Pump Diode Modules
	Pulse Unit	Acousto-Optical Q-Switch
Laser Parameters	Wavelength [nm]	1342
	Nominal Power, Pulsed [W]	8 @ 20 kHz
	Repetition Rate [kHz]	Single Shot to 100
	Polarization	Vertical, 100:1
Beam Parameters	Spatial Mode	TEM ₀₀
	M ²	<1.2
	Peak Power [kW]	>5 @ 20 kHz
	Pulse Energy [μJ]	400 @ 20 kHz
	Pulse Width [ns]	<80 @ 20 kHz
	Pulse-to-Pulse Stability [rms]	<2.0% @ 20 kHz
	Nominal Beam Diameter at Waist [mm]	0.9
Operating Parameters	Nominal Beam Divergence, Full Angle [mrad]	2.3
	Warm-up Time	<15 min
	Electrical Connection	115-230 VAC ±10%, 50-60 Hz, Single Phase
	Power Consumption	<1.5 kVA
	Cooling	Water-to-Air or Water-to-Water
Dimensions	Ambient Temperature	15-40 °C (59-104 °F), non condensing
	Laser Head (L x W x H)	490 x 180 x 135 mm (19.29 x 7.09 x 5.31 in.)
Weights	Power Supply (L x W x H)	500 x 445 x 88 mm (19.69 x 17.52 x 3.46 in.) 19" system, 2 RU high
	Laser Head	17 kg (37.5 lbs.)
	Power Supply	12 kg (26.5 lbs.)

Available Options

Umbilical length between laser head and power supply 1-20 m. Standard is 3 m.
External beam expander box, beam expanders and scan head adapter flanges.
Customized power supply front design.

Rev. 1.0, 12/2013

InnoLas follows a policy of continuous product improvement. All specifications are subject to change without notice.
InnoLas Laser GmbH is DIN EN ISO 9001 certified.

