

Worldwide Distributors

Baltic, Nordic

Von Gegerfelt Photonics

Tel.: +49-6251 860 99 20
Fax: +49-6251 860 99 17
dvg@vgphotonics.eu
www.vgphotonics.eu

Italy

LOT-Oriel Italia

Tel.: +39-02 26 82 21 04
Fax: +39-02 26 82 50 07
info@lot-oriel.it
www.lot-oriel.it

Singapore/Malaysia

PhotonTech Pte Ltd

Tel.: +65-65 70 33 86
Fax: +65-62 33 91 71
csales@photonitech.com
www.photonitech.com

Benelux

Applied Laser Technology (ALT)

Tel.: +31-499 37 53 75
Fax: +31-499 37 53 73
info@alt.nl
www.alt.nl

Japan

Japan Laser Corp.

Tel.: +81-352 85 08 61
Fax: +81-352 85 08 60
lase@japanlaser.jp
www.japanlaser.jp

Taiwan

Tayhwa Technology Co. Ltd.

Tel.: +88-62 23 56 97 37
Fax: +88-62 23 56 96 59
tayhwa@tayhwa.com.tw
www.tayhwa.com.tw

China

Pinnacle Scientific Corporation

Tel.: +86-571 88 22 51 51
Fax: +86-571 88 22 52 52
sales@psci.cn
www.psci.cn

Korea

DongWoo Optron Co., Ltd.

Tel.: +82-317 65 03 00
Fax: +82-317 65 02 22
optron@optron.co.kr
www.optron.co.kr

Turkey

Mitra Anonim Sirketi

Tel.: +90-212 347 47 40
Fax: +90-212 347 47 45
info@mitralaser.com
www.mitralaser.com

France

Photon Lines

Tel.: +33-130 08 99 00
Fax: +33-130 08 99 09
info@photonlines.com
www.photonlines.fr

Poland

Amecam

Tel.: +48-22 207 22 78
Fax: +48-22 207 28 77
amecam@amecam.pl
www.amecam.pl

UK

Photon Lines Ltd.

Tel.: +44-12 95 72 42 25
Fax: +44-12 95 72 42 26
info-uk@photonlines.com
www.photonlines

Israel

Militram

Tel.: +97-299 58 18 60
Fax: +97-299 57 43 83
militram@militram.com
www.militram.com

Spain

LASER Technology S.L.

Tel.: +34-937 50 01 21
Fax: +34-937 50 03 23
josecochon@laser-technology.com
www.laser-technology.com

USA

Market Tech, Inc.

Tel.: +1-83 14 61 11 01
Fax: +1-83 14 61 11 36
info@markettechinc.net
www.markettechinc.net



Omicron-Laserage Laserprodukte GmbH
Raiffeisenstrasse 5e
63110 Rodgau, Germany
Tel.: +49-61 06 82 24-0
Fax: +49-61 06 82 24-10
mail@omicon-laser.de
www.omicon-laser.de



Stand September 2012



Universal Diode Laser Platform

BrixX[®]

Multi-Mode optical
output power up to 2.5 Watt

Single-Mode optical
output power up to 500mW

Fibre output or free
space emission

Fast analogue and
digital modulation

Automatic aging
compensation

USB2.0 and RS-232 interface

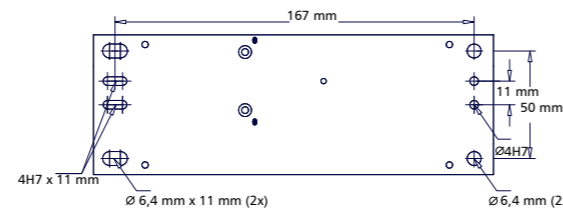
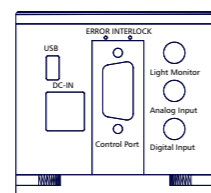
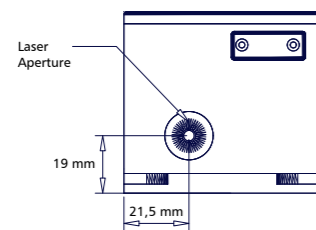
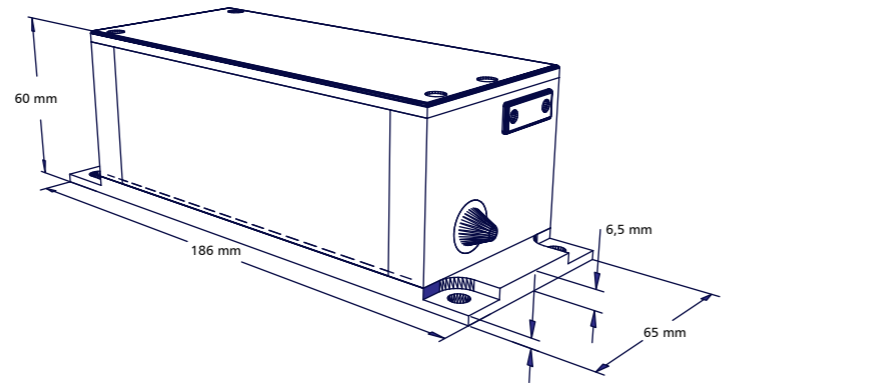


The Omicron BrixX Laser Series

The BrixX[®] diode laser series offers the possibility of integration and operation of different industry standard laser diode packages like 5.6mm or 9mm TO-can, C/B-mount and Butterfly and provides free-space or fibre pigtailed light delivery. A broad variety of wavelengths and single-mode or multi-mode output powers up to 2.5 Watt can be integrated into the BrixX[®] platform. The versatility of the BrixX[®] covers a wide range of applications like RAMAN spectroscopy, machine vision, metrology and many more. The USB2.0 and the RS-232 interface allow deep integration of the lasers into the application's process.

BrixX[®] dimensions

Applications:
Machine Vision
RAMAN Spectroscopy
Test and Measurement
....



BrixX[®] Laser Series Specification Table

Model	BrixX [®] 532-50	BrixX [®] 635-100	BrixX [®] 760-10	BrixX [®] 763-10	BrixX [®] 773-20	BrixX [®] 780-20	BrixX [®] 785-40	BrixX [®] 785-350	BrixX [®] 795-40	BrixX [®] 852-50	BrixX [®] 855-50	BrixX [®] 975-450	BrixX [®] 976-500	BrixX [®] 1060-40	BrixX [®] 1063-40	BrixX [®] 1064-300	BrixX [®] 1064-400	BrixX [®] 1064-500	BrixX [®] 1083-30
Wavelength (+/- 5nm)	532nm	635nm	760nm	763nm	773nm	780nm	785nm	785nm	795nm	852nm	855nm	975nm	976nm	1060nm	1063nm	1064nm	1064nm	1064nm	1083nm
Optical output power	50mW	100mW	10mW	10mW	20mW	20mW	40mW	350mW	40mW	50mW	50mW	450mW	500mW	40mW	40mW	300mW	400mW	500mW	30mW
SM/MM	SM	MM	SM PM	SM PM	SM PM	SM PM	SM PM	SM	SM PM	SM PM	SM PM	SM PM	SM PM	SM PM	SM PM	SM PM	SM PM	SM	SM PM
Output	free space	FC/APC	FC/APC	FC/APC	FC/APC	FC/APC	FC/APC	free space	FC/APC	FC/APC	FC/APC	FC/APC	FC/APC	FC/APC	FC/APC	FC/APC	FC/APC	free space	FC/APC
Polarisation	> 100:1 vertical for single-mode (SM or SM PM) models unpolarised for multi-mode (MM) models																		
Long term power stability	< 1% / 8h																		
RMS Noise 20Hz...10MHz 10MHz...500MHz	< 0.5% (CW) < 0.5% (CW)																		
Operation Modes																			
Mode 1	CW operation (ACC - Automatic Constant Current)																		
Mode 2	CW operation (APC - Automatic Power Control)																		
Mode 3	Analogue modulation																		
Mode 4	Digital modulation																		
Mode 5	Analogue + Digital modulation																		
Analogue modulation																			
Modulation bandwidth	> 1.5MHz																		
Input signal type	0...5V / 1,2kOhm or 0...1V / 50 Ohm (user selectable via software)																		
Digital modulation																			
Modulation bandwidth	> 1.5MHz																		
Input signal type	TTL (2kOhm)																		
Laser enable input (electronic shutter)																			
Modulation bandwidth	> 500kHz (full ON/OFF)																		
Input signal type	TTL (2kOhm)																		
Rise- and falltime	Analogue: < 250ns Digital: < 250ns Laser Enable: < 500ns																		
Extinction ratio	Analogue: > 1000 :1 Digital: > 250 :1 Laser Enable: infinite (full ON/OFF)																		
Supply voltage	12 ... 24 VDC nominal (11 ... 25VDC max.)																		
Control interface	RS-232 and USB 2.0																		
Dimensions laser head	186 x 65 x 60 mm (l x w x h)																		
Options & Accessories	BRIXX.PSU - world wide power supply unit for BrixX [®] series lasers XX.CDRH - remote control box with key switch and emission LED for CDRH compliant operation																		